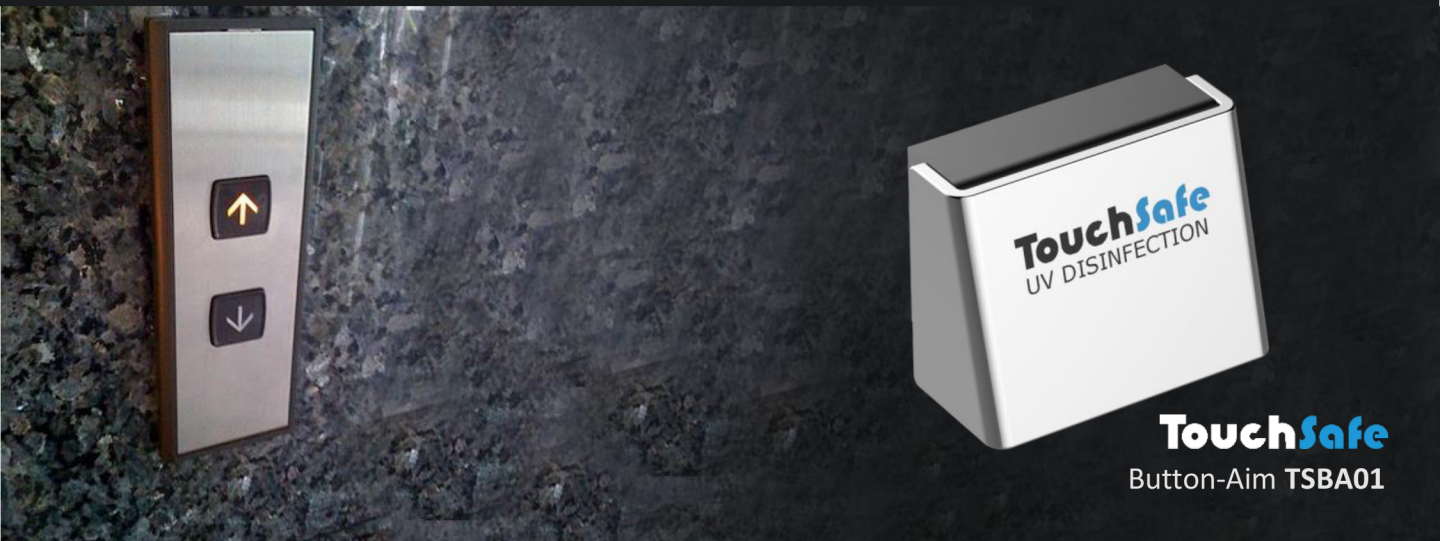


TouchSafe

UV DISINFECTION



TouchSafe
Button-Aim TSBA01



TouchSafe
Kiosk Bar TSKB01

TouchSafe

UV DISINFECTION

BRINGING UV SOLUTION
CLEARWIN COMPANY LTD.
#519, 122, Jomaru-ro 385, Bucheon, Gyeonggi-do
14556, Korea/ www.clearwin-holdsafe.com

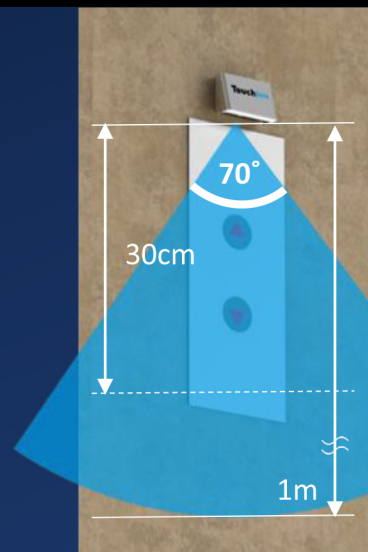


TouchSafe Button-Aim TSBA01

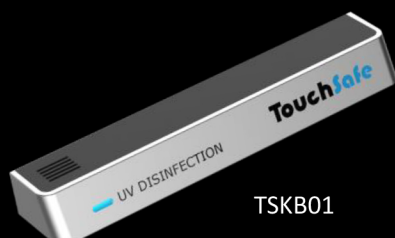


TSBA01

- UV Disinfection to the elevator buttons
- Sterilization process:
every 13sec(on) per 30min
- UV Lighting angle: 70°
- Effective Range: 30cm (max 1m)
- Radiant power: 10.0mW at 100mA
- Power: AAA battery x2
- Size: 63 x 48 x 35 (WxDxH mm)



TouchSafe Kiosk Bar TSKB01



TSKB01

- UV Disinfection to the Touchscreen of Kiosks
- Sterilization process:
30sec off → 30min on → (repeat)
if the sensor detects interruption,
the process resets from 30sec off.
- UV Lighting angles: 120°
- Effective range: 50cm (max 1m)
- Radiant power: 10.0mW at 100mA
- Power: USB C-type
- Size: 150 x 28 x 20 (WxDxH mm)

